

Executive Committee 2002 - 2003

February 1, 2003

Vol. 44, No. 6

Chair

Bart Eckhardt, P.E.
Robson Lapina
(800) 654-4344
email: beckhardt@robsonlapina.com

Vice Chair / Honors and Awards

Daniel Soenjoto
CC Technologies
(614) 761-1214
email: dsoenjoto@cctlabs.com

Secretary

Rajit Kumar
Virtual E3D
(614) 791-3255
email: rajit@infovision.net

Treasurer

Robert Honaker
Diamond Power Specialty Co.
(740) 687-4011
email: RWHonaker@diamondpower.com

Newsletter Editor

Michiel Brongers
CC Technologies
(614) 761-1214
email: mbrongers@cctlabs.com

Web Site Coordinator

Carl E. Jaske, P.E., Ph.D.
CC Technologies
(614) 761-1214
email: cjaske@cctlabs.com

Program Chair

Anup Singh
Retired Member
(614) 436-0480
email: asahlawat@hotmail.com

Professional Development

William French
Design Concepts, Inc.
(614) 766-1633
email: wfrench@columbus.rr.com

History & Heritage

Mel J. Helmich
1440 Club Drive, P. O. Box 493
(740) 397-5323
email: Melhel1234@aol.com

College Relations

George H. Staab
The Ohio State University
(614) 422-7920
email: staab.1@osu.edu

Government Relations

L. Eugene Hulbert, Ph.D.
2671 E. Shore Court
(614) 882-0265
email: Geneh2871@cs.com

Chair of OSU Student Section

Peter Lauffenberger
The Ohio State University
(614) 985-6316
email: plauffenburger@fastmail.fm



CHAIR'S MESSAGE

To all of our Central Ohio Section Members,

We are off to a magnificent start for the year!

Last month, members had the opportunity to take a tour of the OSU Gas Turbine Laboratory on Thursday January 16th. About forty members attended the event which was hosted by the lab's director, Dr. Michael G. Dunn. Members were given a slide presentation about the lab and its functions by Dr. Dunn. We are thankful to Dr. Dunn and Dr. Corso Padova for hosting this interesting and informative tour.

I am pleased to advise that, thanks to the efforts of Anup Singh, attendance at our monthly meetings has almost doubled when compared with previous years and is well ahead of that for most sections. Tell your friends! Good programs help develop a strong section. Thanks Anup!

Speaking of developing a strong section, you will note some changes to the Executive Committee. We have shuffled things around a bit and allowed people to take charge of areas where their strengths, interests and travel schedule allow them to do the most good for themselves and the section. We welcome Rajit Kumar to the EC, and encourage you to contact him and wish him luck. Rajit is a virtual prototyping guru and we sincerely appreciate his involvement on the EC.

Keep coming to the Section Meetings and look for the Old Guard Competition!

Sincerely,

Bart Eckhardt, P.E.
Chair, ASME Central Ohio Section

The Central Ohio Section News is published monthly from September through May by the Central Ohio Section, ASME International, 6141 Avery Road, Dublin, OH 43016-8761.

FEBRUARY PROGRAM

Old Guard Competition – A contest of presentations by students

Join us for the Old Guard Oral Competition at The Ohio State University. Students are invited to present on an engineering topic of their choice. Presentations are to be 20 minutes plus 5 minutes for questions and answers. The Central Ohio Section provides \$500 in prize money, to be divided among the winners.

The following three people will be judges at the Old Guard Competition:

- Thomas P. O'Brien, Sr. Research Associate, OSU Dept. of Astronomy
- Alan La Forrest, Maintenance Supervisor, Columbus State University
- Bart J. Eckhardt, P.E., Forensic Engineer, Robson Lapina

WHO: ASME student members, ASME members, and their guests.

WHEN: Thursday, February 20, 2003, 5:30-8:00 PM

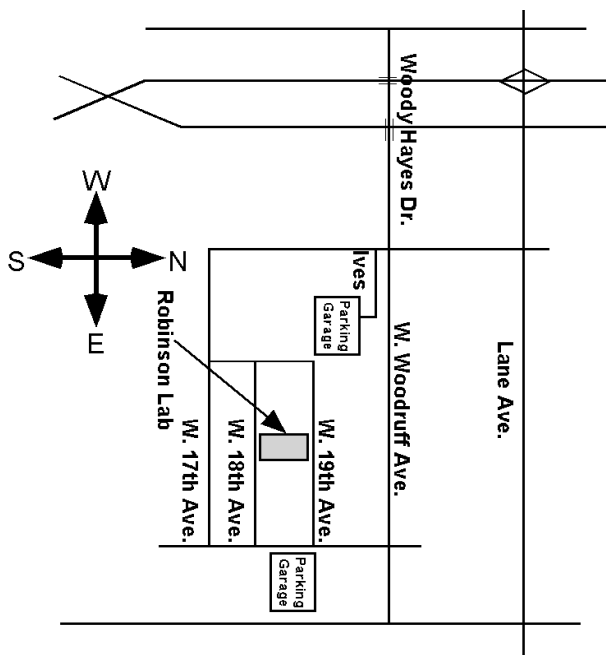
WHERE: Room 2027, Robinson Lab, The Ohio State University

SPECIAL: Central Ohio Section is sponsoring pizza and soft drinks!!!

DIRECTIONS: Use Tuttle Parking Garage (at Ives).

See map and picture: the Robinson Laboratory is building #075 in the image

RESERVATIONS: *Please RSVP by Tuesday, February 18 by registering on-line at www.centralohioasme.org/MeetingReservationForm.html or contact Anup Singh, at (614) 436-0480 or e-mail asahlawat@hotmail.com.*



Robinson Laboratory



NATIONAL MANUFACTURING WEEK

National Manufacturing Week is scheduled to take place March 3-6, 2003 at Chicago's McCormick Place Complex and will feature over 350,000 square feet of manufacturing exhibits and events. National Manufacturing Week is sponsored by the National Association of Manufacturers and supported by more than thirteen associations, societies and trade journals. Visit National Manufacturing Week online at www.manufacturingweek.com for up-to-the-minute information about special events and attendee registration.

FE EXAM REVIEW ONLINE

New for 2003!

Starts February 10, 2003

Duration 8 weeks

Ordering Information: **Product No. ZFENBC**

\$395 ASME Member

\$495 Non-Member



For more information contact Thomas Kuehl, Tel: 212-591-8013 Email: kuehlt@asme.org.

Study on your schedule- 24/7 and get answers from experienced instructors online. As with studying alone, the FE course can be taken any time. And like a live class, this online course offers interaction - via email and online discussion - with instructors and others taking the course. Within this eight week course there are 12 modules. In addition to these modules, there are practice questions similar to those that exam takers will have to tackle. The course requires a computer with Internet access and Microsoft Word and PowerPoint software.

The Executive Committee meets the first Thursday of every month, at the office of Robson Lapina, 434 East Rich Street, Columbus, OH 43215, (800) 654-4344. You're welcome to join!



6141 Avery Rd
Dublin OH
43016-8761

CC Technologies
SOLVING MATERIALS PROBLEMS
THROUGH INNOVATION

tel: 614.761.1214
fax: 614.761.1633
info@cctlabs.com

MATERIALS & CORROSION
RESEARCH - ENGINEERING - TESTING - FAILURE ANALYSIS



ISO 9002 CERTIFIED

FRED LANDIG
President

Industrial Fabricators Incorporated
ENGINEERS AND FABRICATORS FOR INDUSTRY

265 East Broadway
Westerville, Ohio 43081-1696

614/882-7423
Fax 614/882-3162

EDGAR R. "BOB" EDWARDS, P.E.
Chairman

M W. E. MONKS & CO.
ENGINEERS

3073 NORTH HIGH STREET • COLUMBUS, OHIO 43202-1180
614-267-4928 • FAX 614-267-5617 • DID 614-265-2000
E-MAIL wemonks@wemonks.com



Lancaster, Ohio • (740) 654-1091

- Industrial Expansion Planning & Design •
- Materials Handling Improvement •
- Systems Engineering •


REGISTERED PROFESSIONAL ENGINEERS

Gallagher & Dawsey

Intellectual Property Law

- Patent
- Trademark
- Copyright
- Licensing

Michael J. Gallagher, Esq. David J. Dawsey, PE, Esq.
614.404.2691
www.invention-protection.com



An Engineering Solutions Company

Services:	Products:
• CAD/CAE	• vCollab – Visual Collaboration Tool
• Digital Mockup	• vMove: CAD Translator
• Virtual Prototyping	

Rajit P. Kumar 614-791-3255 (off)
rajit@infovision.net www.virtuale3d.com



B. Russell Alexander, P.E.
Kathryn E. Alexander, P.E.

(614) 268-0228

www.designfactoryinc.com

Celebrating 11 Years of
Mechanical Design Engineering
Excellence

**PRODUCT & EQUIPMENT
DEVELOPMENT**

THANKS TO OUR SPONSORS

Thanks to our sponsors for helping to defray the cost of preparing and mailing this newsletter. To add your business card to our newsletter and web site, please contact Michiel Brongers, by E-mail at mbrongers@cctlabs.com or by Telephone: (614) 761-1214.